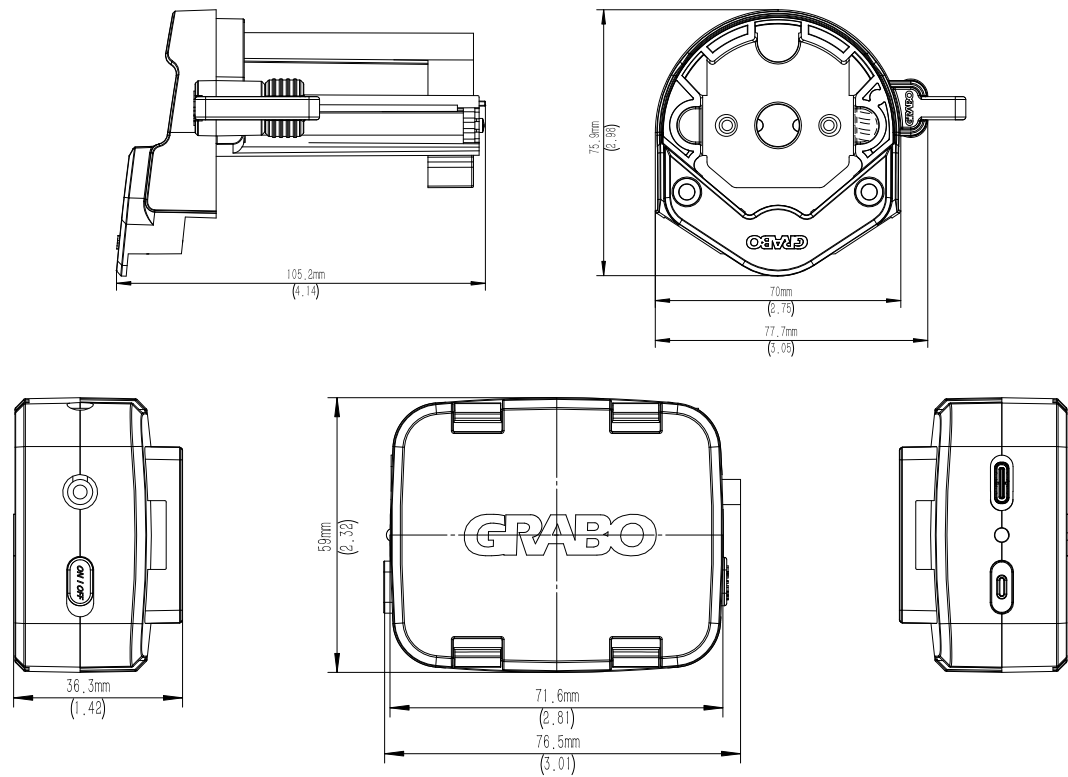


GRABO

GRABO REMOTE HEAVY LIFTING MADE EASY



Specifications:

Model	GRABO REMOTE (V1)
Compatible devices	GRABO PRO, NEMO GRABO
Working voltage	14.8 V
Rated power	3 W
Receiving sensitivity	-107 dBm
Operating frequency	433.92 MNz
Control effect	Operate several vacuum lifters at the same time. If you operate several GRABO REMOTE at the same time, they will not interfere with each other.
Control distance	30 m
Service life (remote control)	> 10000 times, > 800h
Net weight (with battery)	260gr (0.57 lbs)
Working temperature	0-55 °C (32-131 °F)

GRABO headquarters:

Eastern Commerce Center
6000 S Eastern Ave
Unit 9E
Las Vegas, Nevada, 89119

Info@GRABO.com

www.GRABO.com

Main Office:

+1 (844) 430-0510

Help & Warranty:

+1 (702) 718-2433

By Nemo Power Tools
www.GRABO.com

